

TRIO Accessories

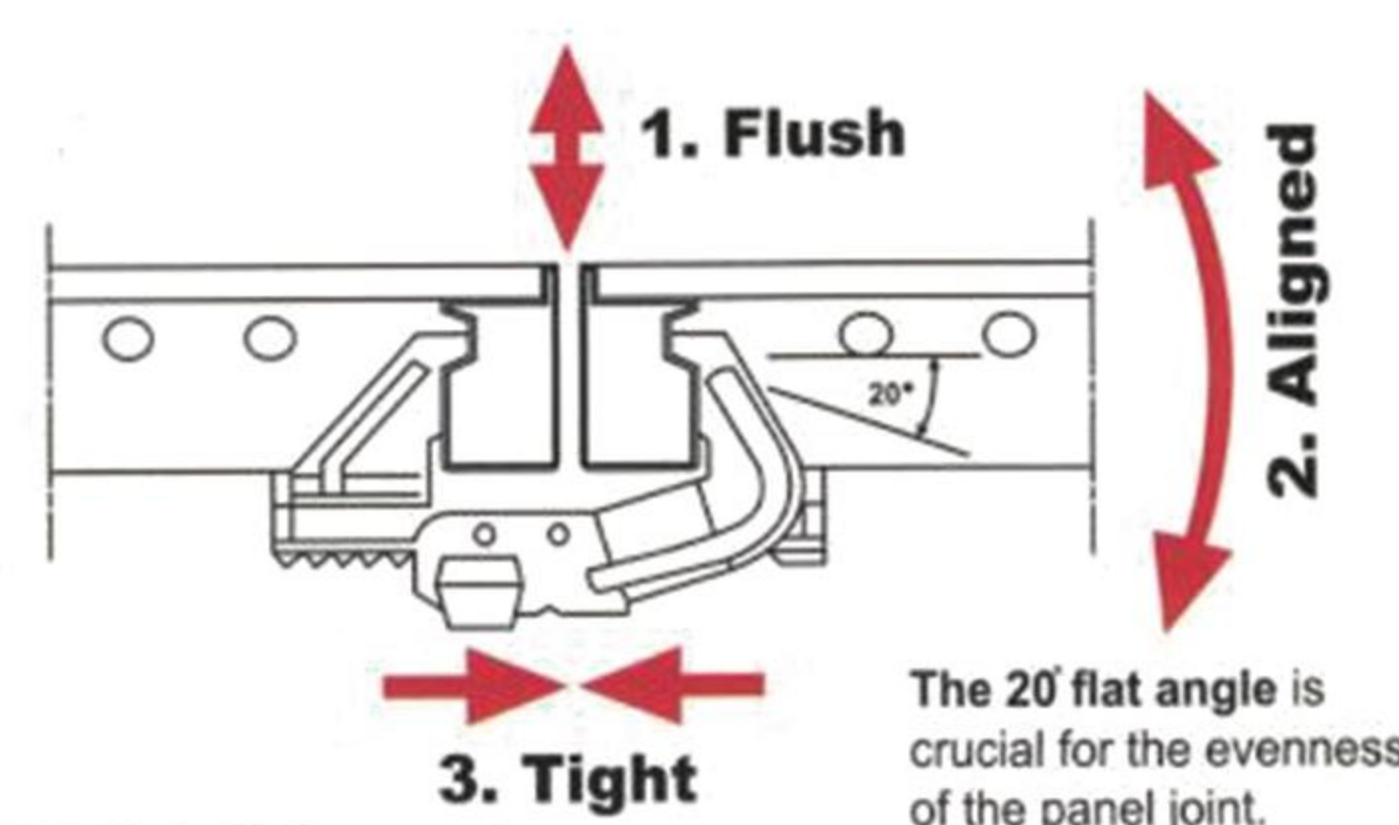
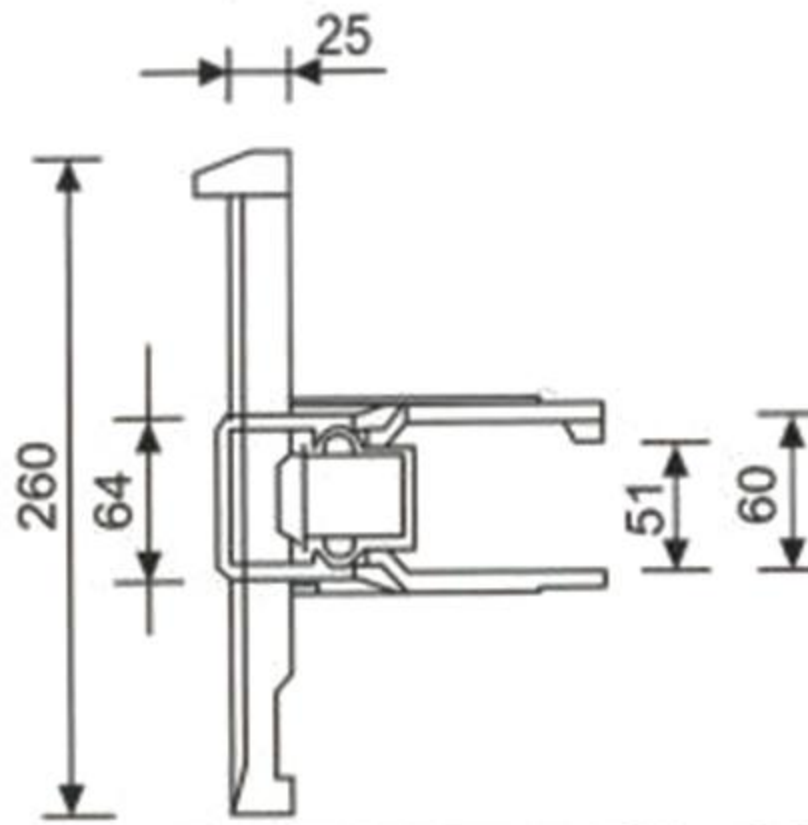
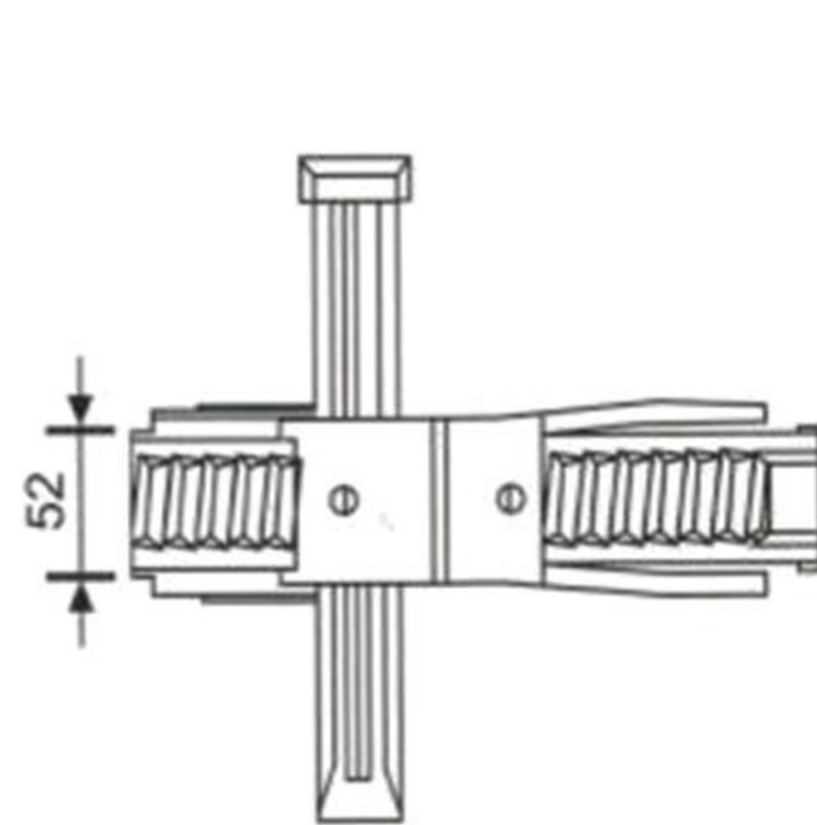
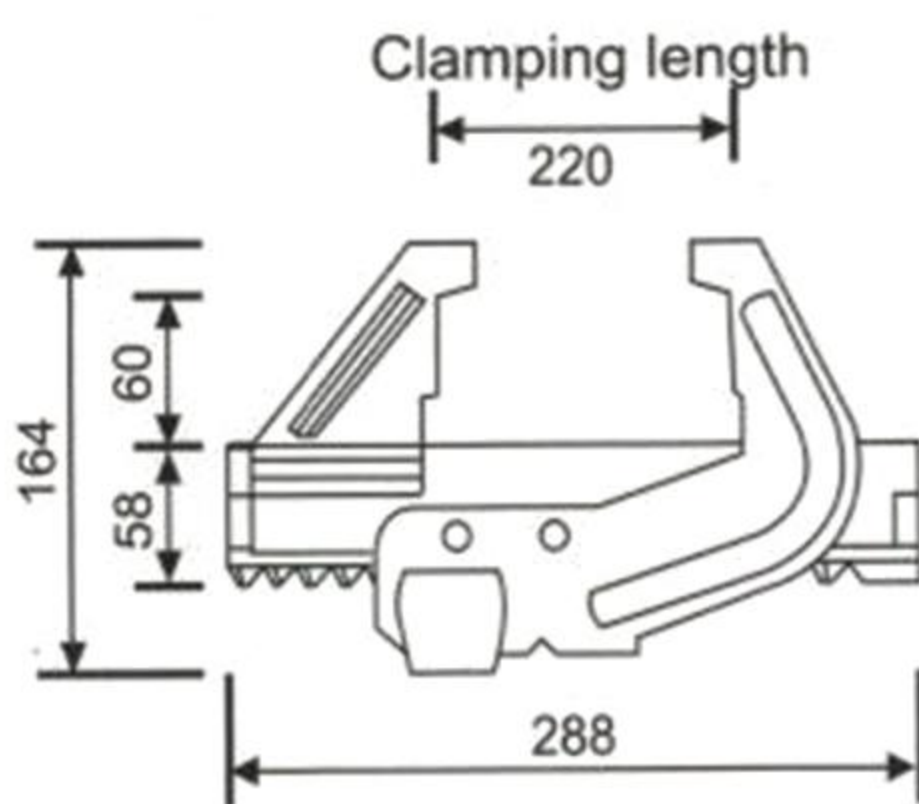
Just 1 component for all connections

The BFD Alignment Coupler



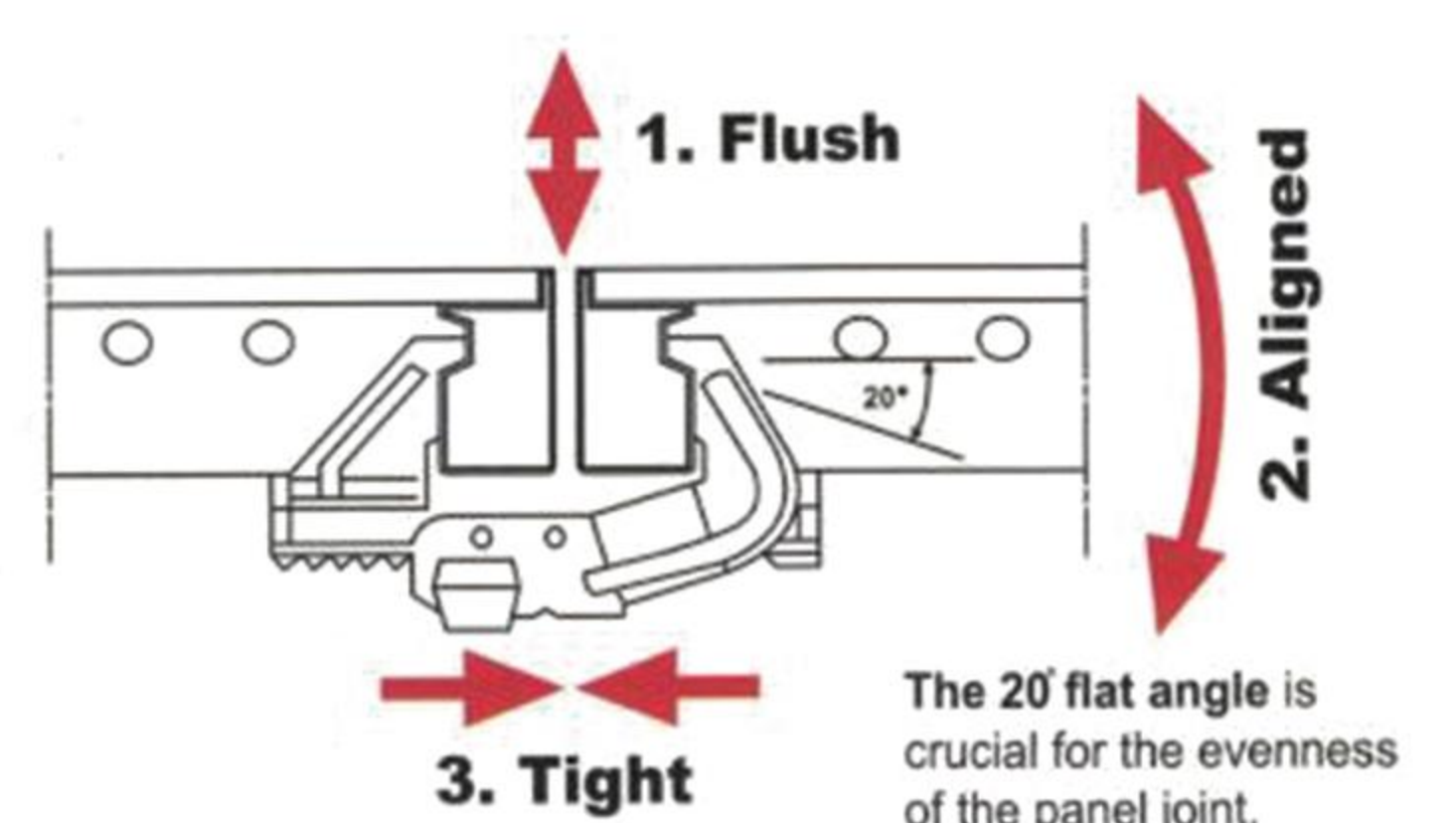
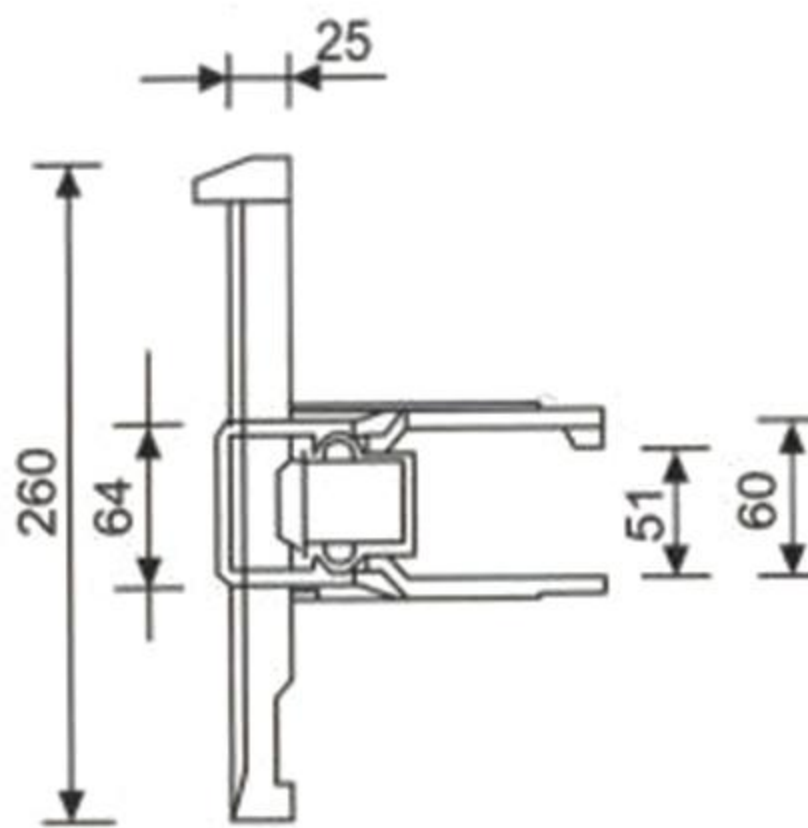
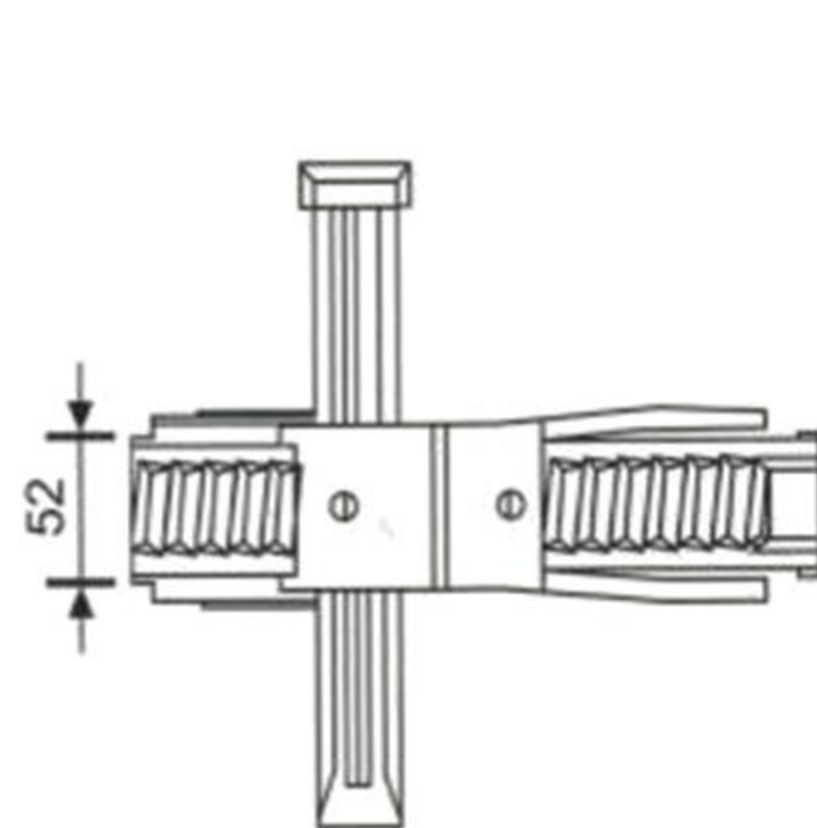
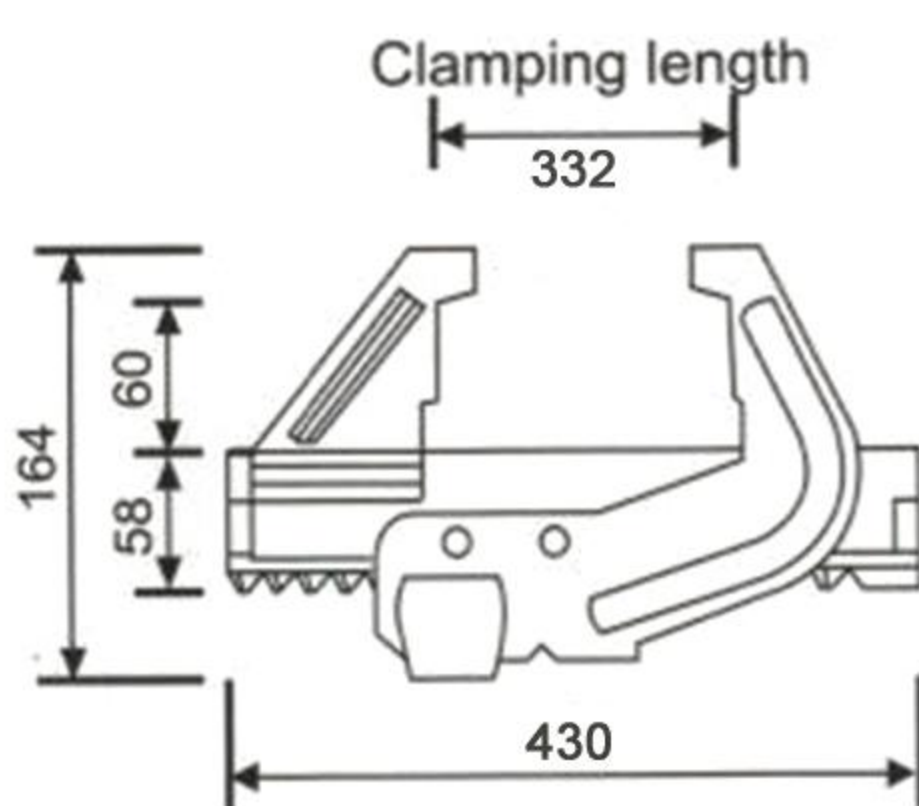
- This BFD Coupler Panel Formwork clamp's infill area up to **100mm**
- Drop forged wedge allows continuously locking and unlocking
- Permissible tension force 20.0kN
- Needs one hammer only
- Finish: Elec.galvanized (Golden or Silver)
- Packing: 374PC/pallet, 5984PC/20GP

▼ SV001



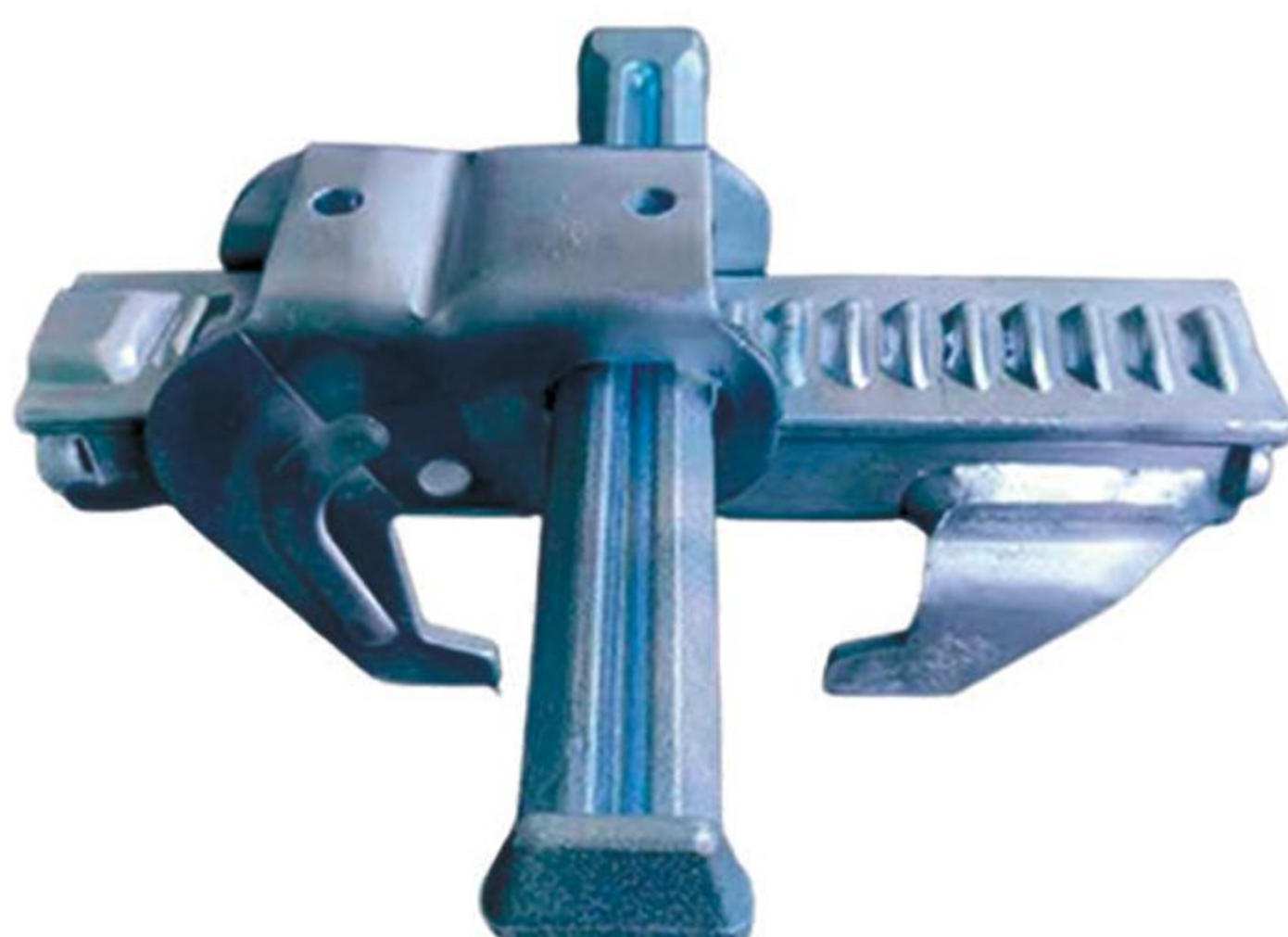
- For all panel connection of TRIO, ROUND FLEX system.
- Clamping length is up to 220mm

▼ SV002



- For all panel connection of TRIO, ROUND FLEX system.
- Clamping length is up to 362 mm

▼ SV003



- Alignment Coupler DRS
- For all DOMINO panel connection
- Clamping length is up to 120 mm



SV004



SV005



SV006



SV007



SV008



SV009



SV010



SV011



SV012



SV013



SV014



SV015



SV016



SV017



SV018



SV019



SV020



SV021



SV022



SV023



SV024



SV025



SV026



SV027



SV028



SV029



SV030



SV031



SV032



SV033



SV034



SV035



SV036



SV037



SV038



SV039



SV040



SV041



SV042



SV043

For standard element joints(horizontal and vertical)



For standard element joints



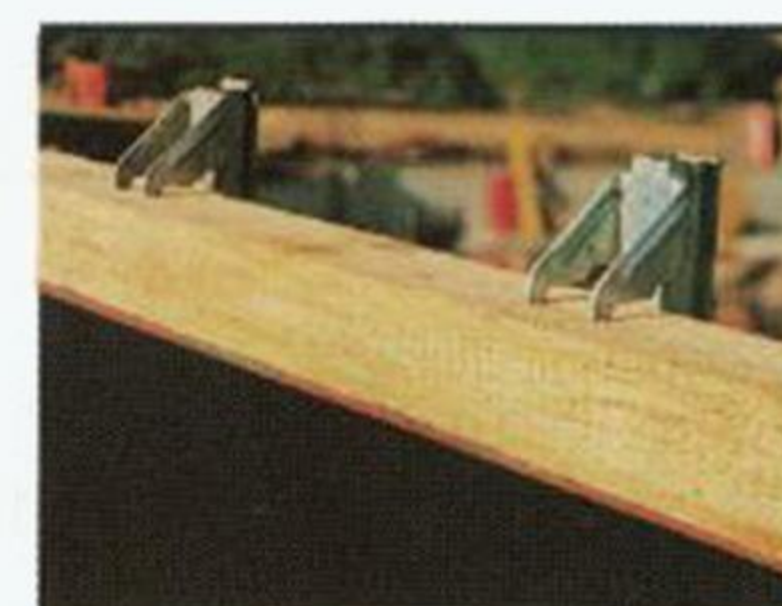
On external corners



On articulated corners

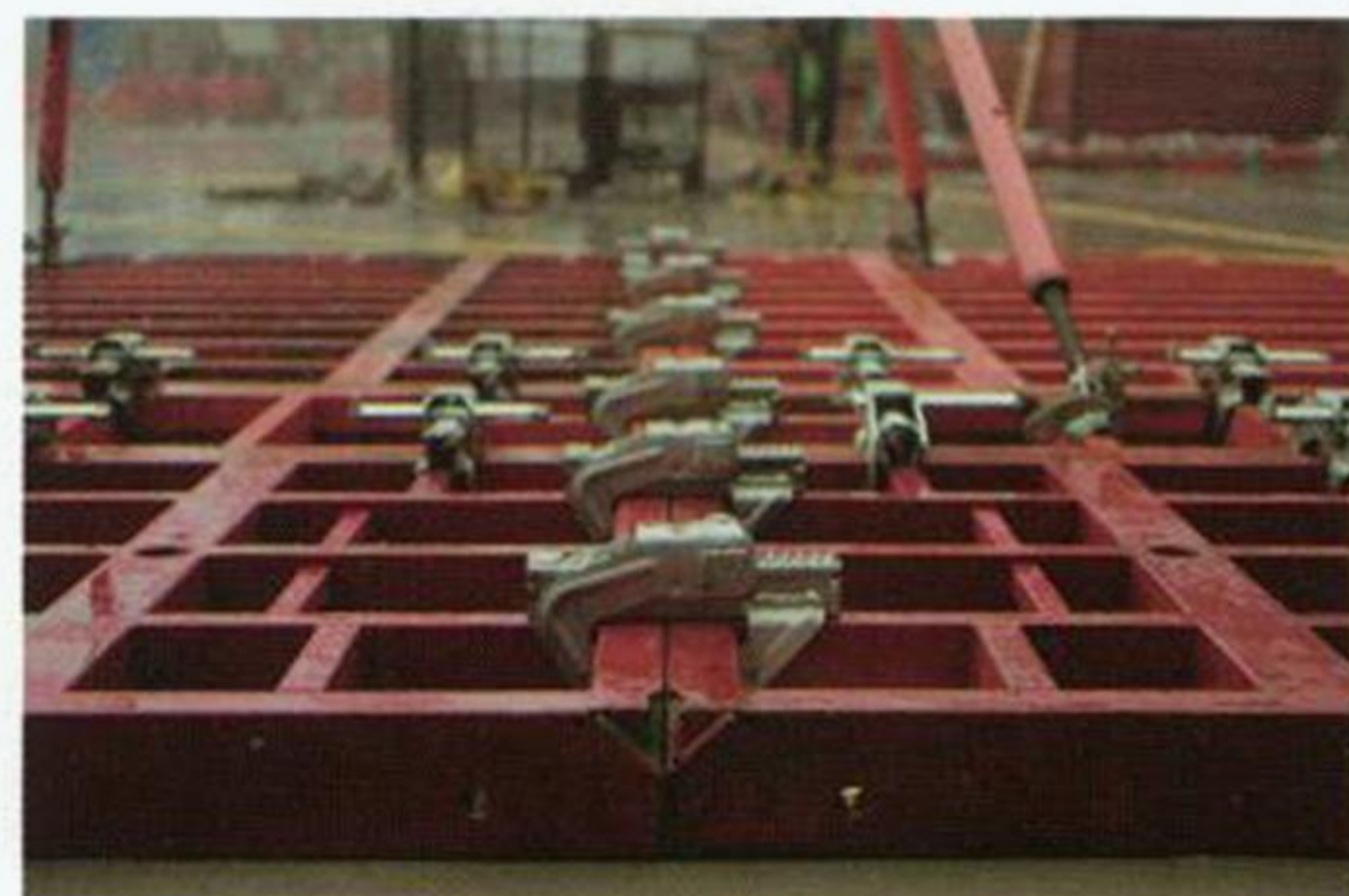


With filler timber up to 100mm



For timber extensions

For jobsite applications:



Clients:



PSK-DELTA



山西沃斯特工贸有限公司

SHANXI VERSED INDUSTRIAL TRADING CO., LTD

Web:<https://versed.en.alibaba.com>

Email:manager@sxversed.com

Mobile/Whatsapp/Wechat +8613935164030